

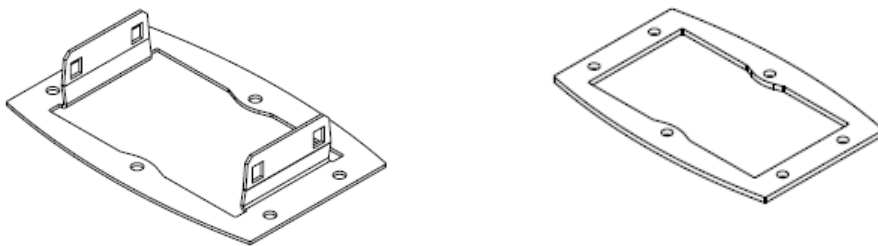
M-Pod II Installation Instructions for Mounting Base

The mounting base is symmetrical; thus the M-Pod II can be rotated 180 ° at mounting stage.

The 6mm thick gasket can be used to seal base and help to plumb pedestal if mounting surface is not level.

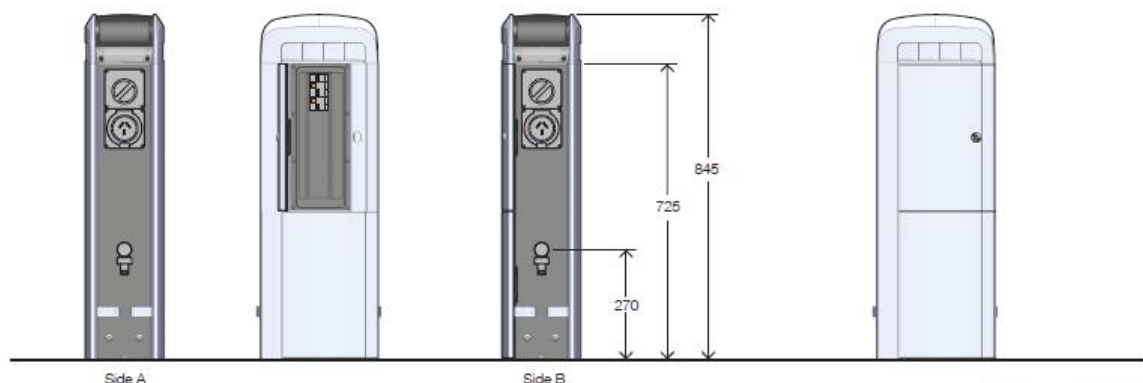
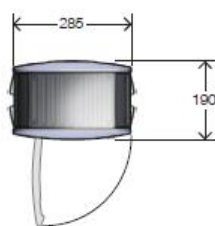
SS316 M10 button head MTS fixings, are supplied with the M-Pod II pedestal.

Due to different mounting platforms, fixings for the mounting base are not supplied. The mounting base fixing hole size suits M10 fixings.



The line drawings of the M-Pod II (single phase unit) show the location of the outlets, switchgear/kWh meters, and taps. The 3 Door M-Pod II has the same layout except it has an extra switchgear door, making it taller.

There is no access to the M-Pod II via the side opposite the switch doors. This side will usually face the water.



2-door Unit | Standard | 1ph